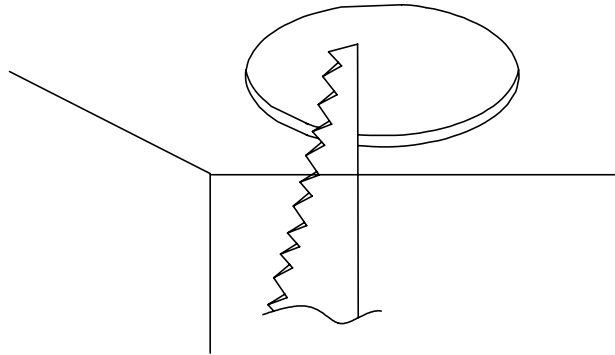
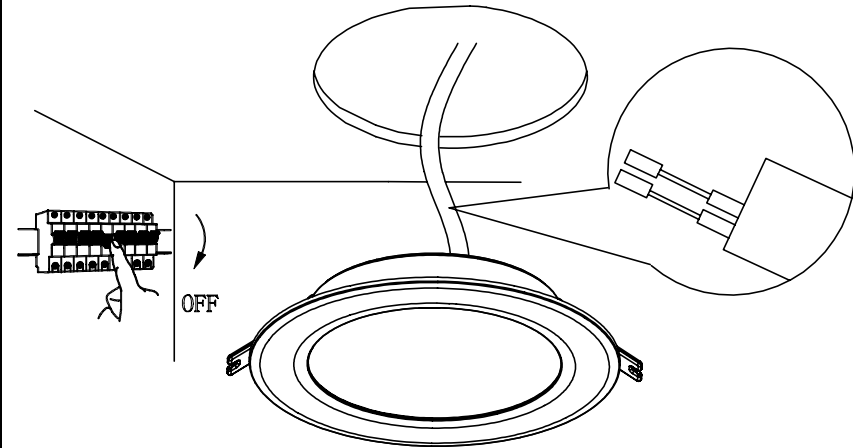


圆形暗装拨码小面板安装示意图

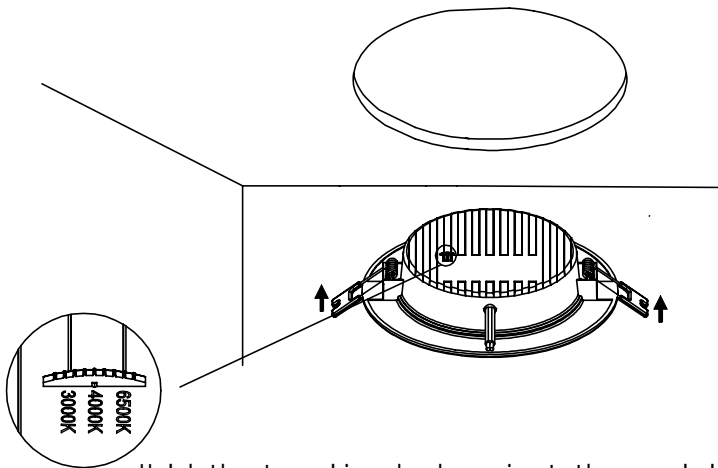


ROUND PANEL	3W	6W	9W	12W	18W	24W
INSTALLATION HOLE SIZE	φ80 (77-82mm)	φ105 (105-110mm)	φ125 (125-130mm)	φ150 (145-150mm)	φ195 (190-200mm)	φ270 (265-275mm)

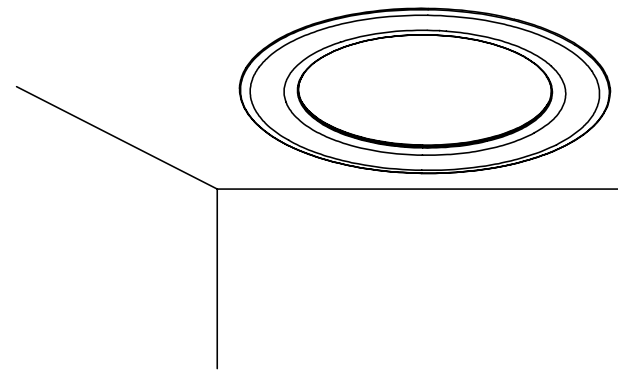
1、Cut a hole using an appropriate tool according to the cut-out size.



2、Switch OFF the power & Connect AC: 220-240V Voltage with terminals.



3 Hold the two clips back against the panel light and push it into the hole. Allow the springs to pull the light up to the ceiling. Select color temperature before installation.



4、Check whether the lamp is flat and electrified.
5、Clean the lamp with clean cloth.
6、Switch on the power and test the light.

